

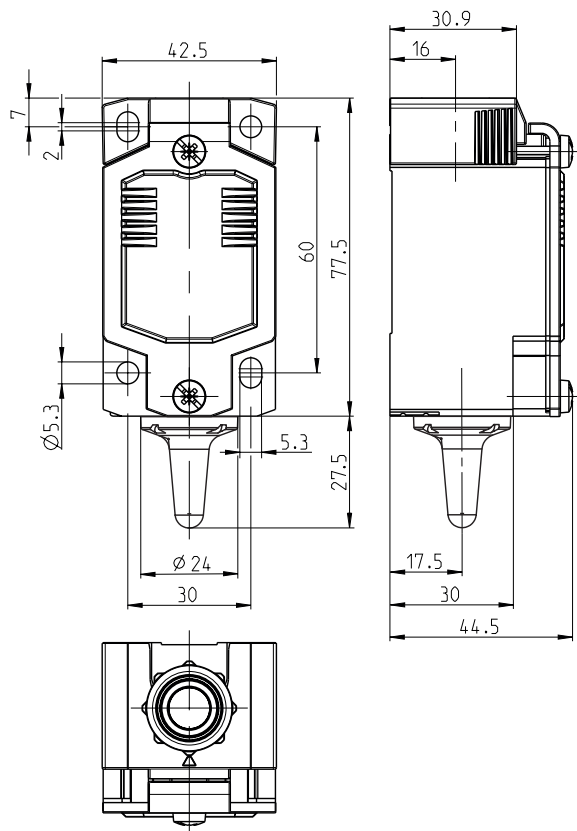
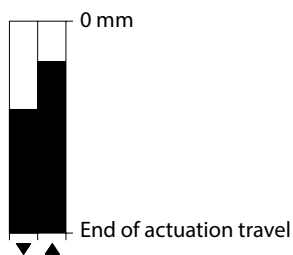
Metal bodied limit switch Series MN78

Description **MN78-902 M20**

Article number **6087000136**

Enclosure with wireless transmitter without actuating device

Switching diagram



Operating data

| | |
|-----------------------------|---|
| Voltage supply | Electrodynamic energy generator (energy harvesting) |
| Transmission protocol | EnOcean 902 MHz |
| Typical operating distances | approximately 80 meters in open space without obstacles approximately 20 meters in industrial environments with structural obstacles |

| Mechanical data | |
|-------------------------|--|
| Enclosure | Die-cast aluminium (colour: black)) |
| Cover | Sheet aluminium (colour: black)) |
| Ambient air temperature | -15 °C ... +70 °C |
| Storage temperature | -30 °C ... +80 °C |
| Mechanical life | 1 x 10 ⁶ operating cycles |
| Weight | ≈ 0,25 kg |
| Protection type | IP66 / IP67 acc. EN 60529, Type 4X – Indoor Use only |
| Installation position | operator definable |

| Switching frequency depending on the receiver | |
|---|---|
| 3600 cycles / hour | 1 transmitter signal per relay output of the receiver |
| 1800 cycles / hour | 2 to 28 simultaneous transmitter signals per relay output of the receiver |
| 720 cycles / hour | 1 transmitter per relay output of the receiver in two-stage mode |

| Standards | |
|-----------|---------------|
| | IEC 60947-5-1 |
| | EN 60947-5-1 |

| EU Conformity | |
|---------------|--|
| | acc. to directive 2014/53/EU (RED-directive) |

| Approvals | |
|-----------|---------------------------|
| | FCC Part 15B requirements |
| | ICES-003 requirements |

| Notes | |
|--|--|
| The specified protection class (IP code) only applies when the cover is closed and an actuation device intended for the product and correctly installed is used. | |
| Approvals / properties applies only to the fully assembled device. | |